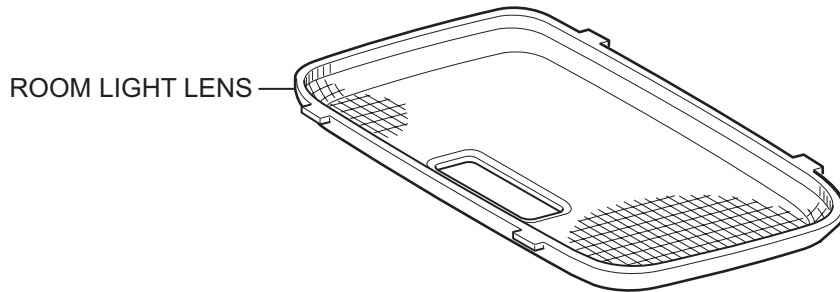
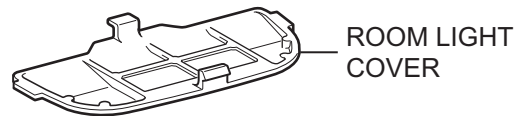
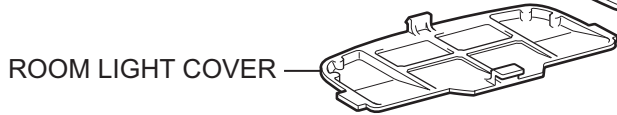
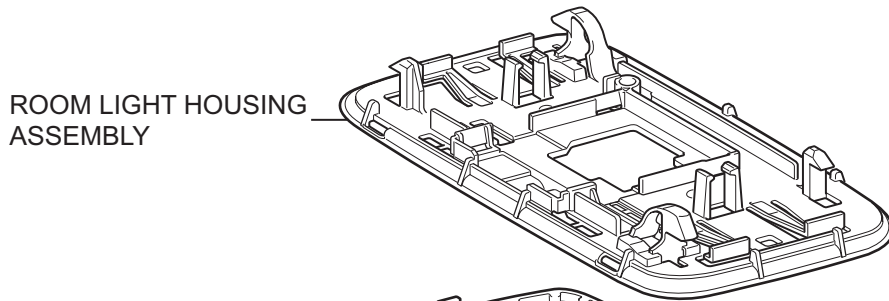
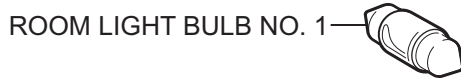
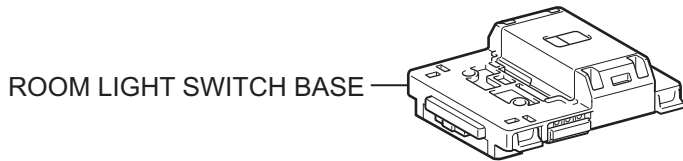
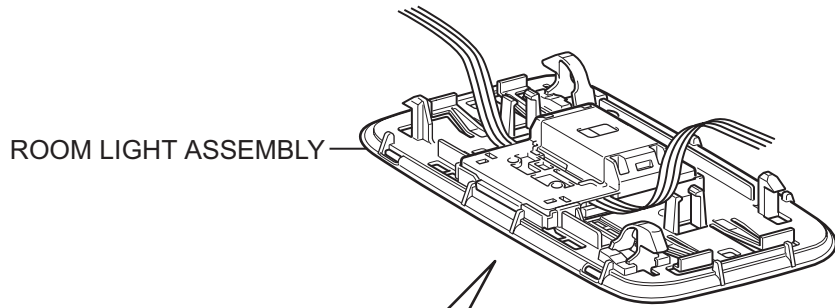


# ROOM LIGHT ASSEMBLY

## COMPONENTS

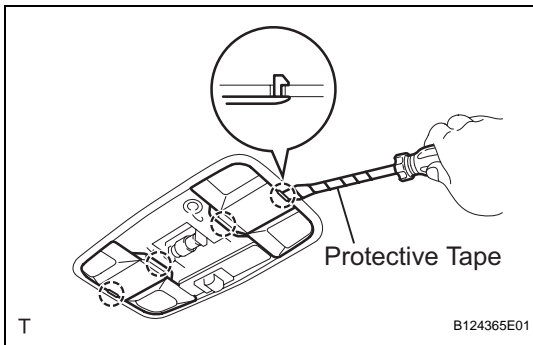
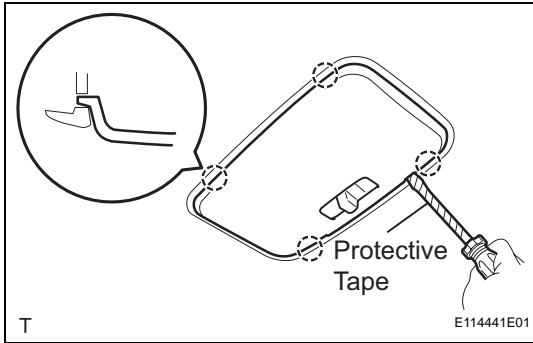


## REMOVAL

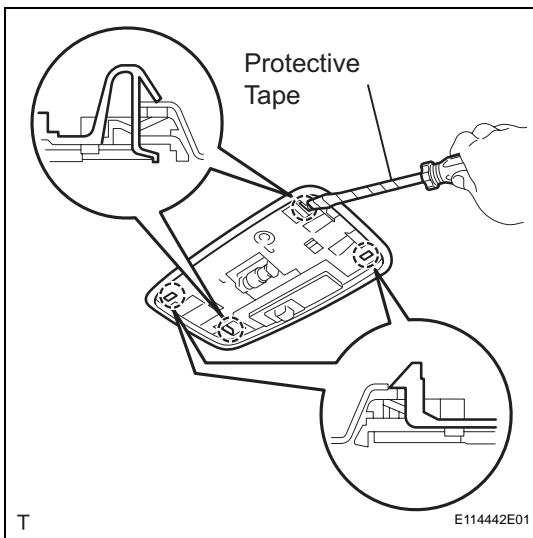
### 1. DISCONNECT CABLE FROM NEGATIVE BATTERY TERMINAL

### 2. REMOVE ROOM LIGHT ASSEMBLY

- (a) Using a screwdriver with its tip wrapped in protective tape, disengage the 4 claws and remove the room light lens.



- (b) Using a screwdriver with its tip wrapped in protective tape, disengage the 4 claws and remove the 2 covers.



- (c) Using a screwdriver with its tip wrapped in protective tape, disengage the 4 claws.